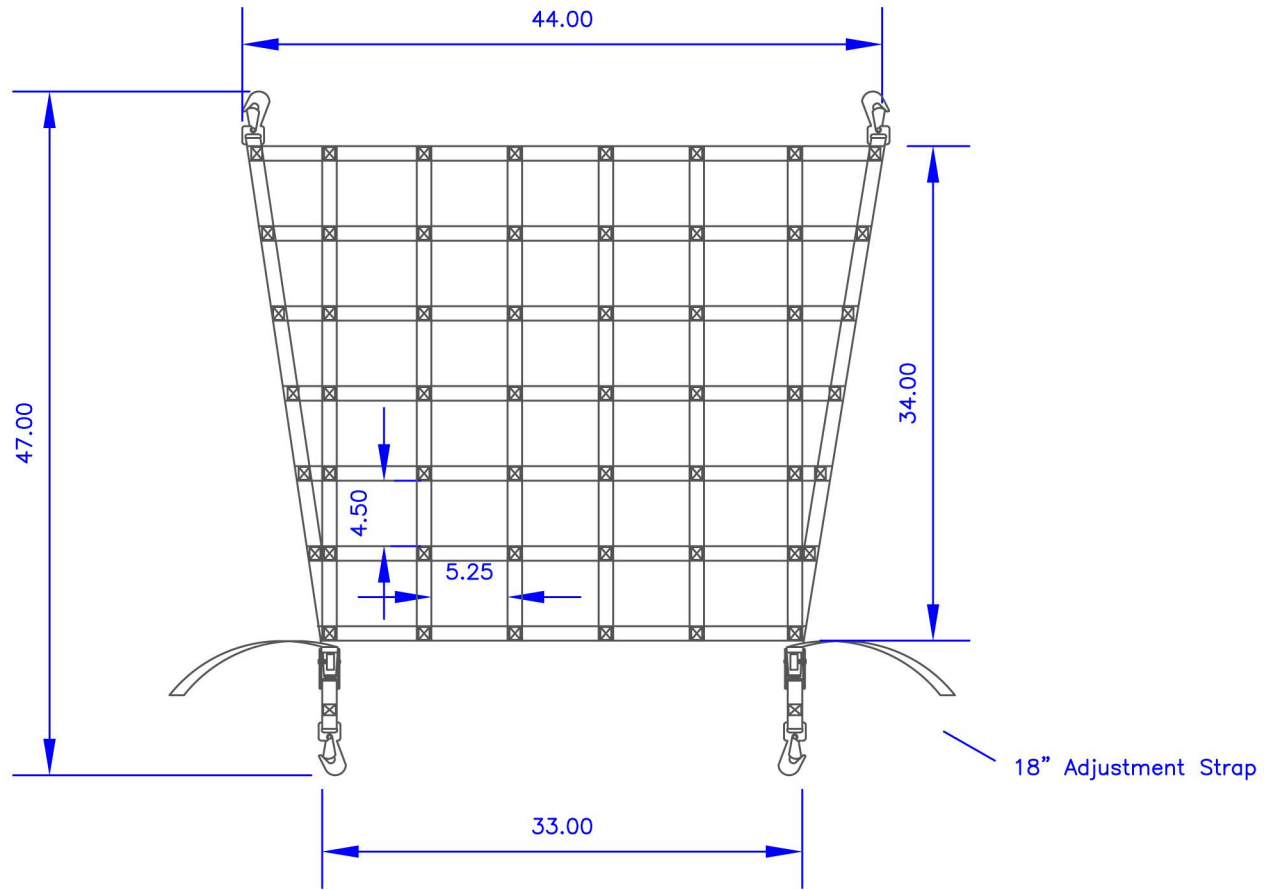


APPROVED
FOR PRODUCTION RELEASE
BY: _____
DATE: _____



NOTE:

Constructed of 1" nylon webbing, in Black.
Hardware Includes: Cam Buckle tensioners with Snap Hook anchors.
Includes 4 ea. Mounted D-rings.